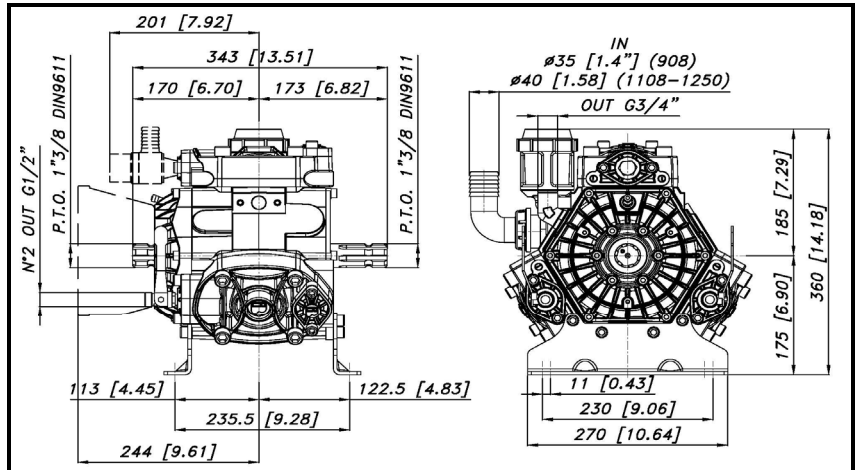
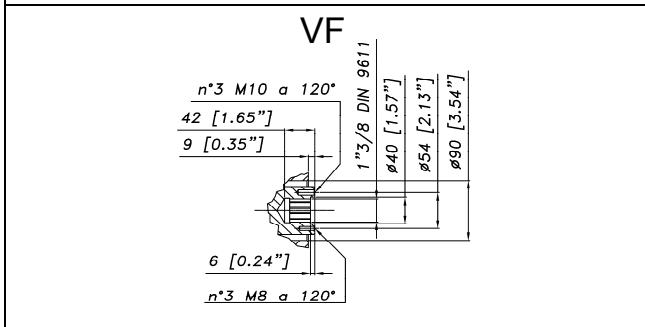
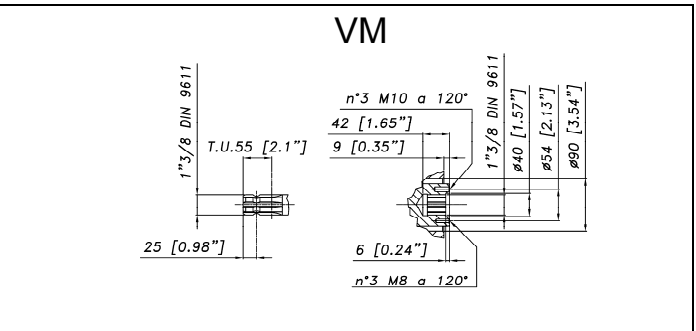
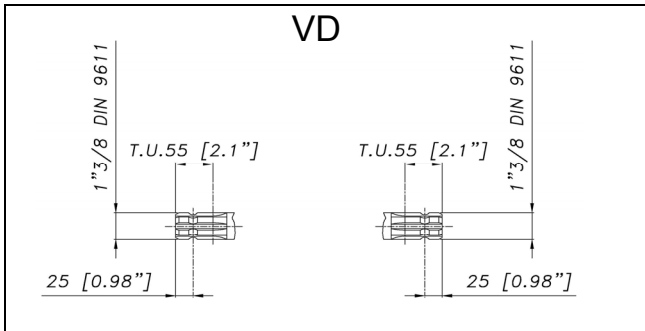


DIMENSIONI D'INGOMBRO - OVERALL DIMENSIONS



ALBERO POMPA - PUMP SHAFT



COPPIA DI SERRAGGIO - TORQUE CHART					
CODICE - CODE	Q.TY	POS	N-m	Lbr.ft	
86.3265.00.2	6	13	44	32,5	
86.2682.00.2	6	31	22	16,2	
86.2852.00.2	2	56	22	16,2	
41.9835.97.3	3	40	25	18,5	
86.2752.00.2	18	6	22	16,2	
86.3347.00.2	2	20	44	32,5	
86.3300.00.2	12	41	44	32,5	
86.4250.00.2	12	47	98	72,2	
Tolleranza di serraggio: 0/-10%					
Tolerance on torque value:					

INFORMAZIONI UTILI USEFUL INFORMATION				
LUBRIFICANTE- LUBRICANT: OLIO MOTORE O SEMIIDRAULICO SAE 30 MOTOR OIL OR SEMI-HYDRAULIC OIL SAE 30				
PRESSIONE ACCUMULATORE ACCUMULATOR PRESSURE				
PRESSIONE DI LAVORO - OPERATING PRESSURE	2 ÷ 5	5÷10	10 ÷ 20	20 ÷ 50
ACCUMULATORE ACCUMULATOR	2	2 ÷ 5	5 ÷ 7	6 ÷ 8

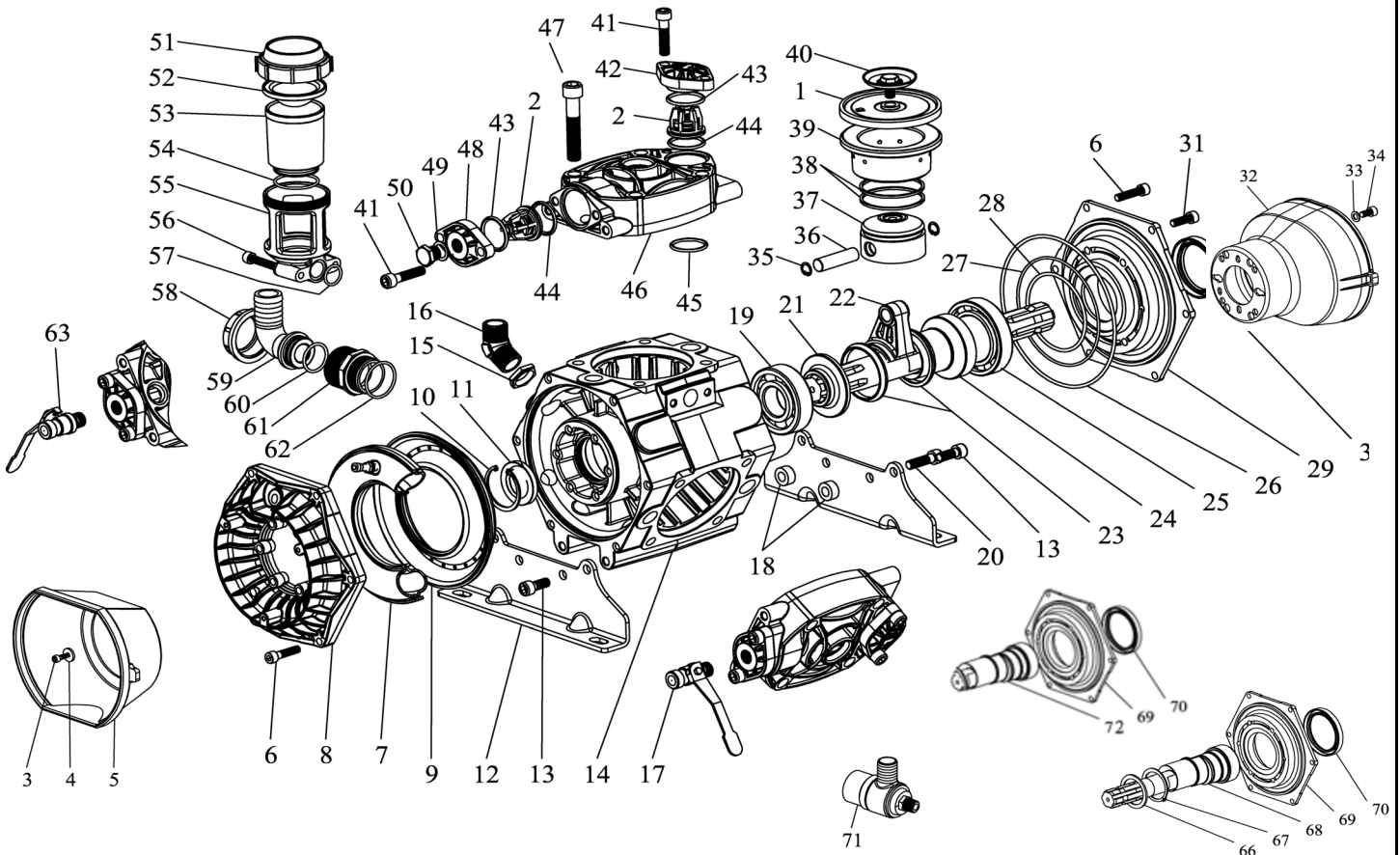
KIT MEMBRANE - DIAPHRAGMS KIT

KIT	37.9817.97.3	BUNA - N			37.9818.97.3	DESMOPAN			37.9819.97.3	VITON						37.9820.97.3	PENTAX		
		1	7	45		1	7	45		1	7	26	27	43	44		59	1	7
POSIZIONE ESPLOSO POSITION NUMBER																			
QUANTITA' NEL KIT QUANTITIES INCLUDED	3	1	6	3	1	6	3	1	6	3	1	1	1	6	6	6	3	1	6

KIT POMPA/KIT VALVOLE - PUMP KIT/VALVES KIT

KIT	35.9880.97.3	KIT POMPA VD PUMP KIT VD								35.9881.97.3	KIT POMPA VM PUMP KIT VM								35.9870.97.3	KIT VALVOLE VALVE KIT						
		11	30	45	26	27	28	43	44		11	70	45	26	27	28	43	44		2	43	44				
POSIZIONE ESPLOSO POSITION NUMBER																										
QUANTITA' NEL KIT QUANTITIES INCLUDED	1	1	6	1	1	1	6	6	1	1	6	6	1	1	1	6	6	6	6	6	6	6	6	6	6	

PA/S 1108 - 1250



POS.	CODICE PART NO. REF.	DENOMINAZIONE - DESCRIPTION - DESCRIPTION	Q.TY
1	95.0040.31.2	BUNA-N PISTON DIAPHRAGM	3
1	95.0040.33.2	VITON PISTON DIAPHRAGM (OPTIONAL)	3
1	95.0040.00.2	DESMPAN PISTON DIAPHRAGM (OPTIONAL)	3
1	95.0040.36.2	HPS PISTON DIAPHRAGM (OPTIONAL)	3
2	35.9802.97.3	VALVES ASSEMBLY	6
3	86.1846.00.2	SCREW M5,5x16 UNI 6954 (OPTIONAL)	3
4	84.3560.00.2	WASHER DIA. 5,5x15x1,6 (OPTIONAL)	3
5	31.1466.32.2	PLAIN SAFETY CONE (OPTIONAL)	1
6	86.2752.00.2	SCREW M8x35 UNI 5931	18
7	41.0120.97.3	NBR BALLASTER DIAPHRAGM	1
7	41.0121.97.3	VITON BALLASTER DIAPHRAGM (OPTIONAL)	1
7	41.0122.97.3	EPDM BALLASTER DIAPHRAGM (OPTIONAL)	1
7	41.0123.97.3	HPS BALLASTER DIAPHRAGM (OPTIONAL)	1
8	37.0108.09.2	BALLASTER COVER	1
9	41.0104.09.2	LOWER BALLASTER	1
10	80.1369.00.2	RING DIA. 52	1
11	80.2143.10.2	OIL SEAL DIA.35x52x7 (VD-VM)	1
11	80.2099.60.2	CAP 52x7 (VF)	1
12	37.0109.61.2	MOUNTING RAIL	2
13	86.3265.00.2	SCREW M10x25 UNI 5931	6
14	37.0107.09.2	CRANKCASE	1
15	81.4909.00.2	BRASS G.3/4 NUT	1
16	83.5063.28.2	60° ELBOW CONNECTOR G.3/4	1
17	84.5544.10.2	LEFT TAP G.3/8-G.1/2	1
18	41.0115.75.2	MOUNTING RAIL SPACER	2
19	81.2867.00.2	BEARING35X80X21	1
20	86.3347.00.2	SCREW M10x35 UNI 5931	2
21	28.0027.09.2	CIRCLIP	1
22	35.0011.09.2	CONROD	3
22	35.0047.11.2	BRONZE CONROD (OPTIONAL)	3
23	98.0047.76.2	CONROD HOLDING RING	2
24	37.0021.26.2	CRANKSHAFT "VD" (1"3/8 M-M)	1
25	81.2972.00.2	BEARING 55X90X18	1
26	80.3291.50.2	O-RING DIA. 3,53x177,39	1
26	80.3291.60.2	O-RING DIA. 3,53x177,39 (KIT VITON)	1
27	80.3210.70.2	O-RING DIA. 2,62x126,67	1
27	80.3210.75.2	O-RING DIA. 2,62x126,67 (KIT VITON)	1
28	80.3291.00.2	O-RING DIA. 3,53x88,5	1
29	35.0007.09.2	INLET COVER "VD"	1
30	80.2250.10.2	OIL SEAL DIA.55x72x10	1
31	86.2682.00.2	SCREW M8x25 UNI 5931	6
32	31.1482.32.2	PLAIN SAFETY CONE L.180 (OPTIONAL)	1
32	31.1468.32.2	PLAIN SAFETY CONE L.135 (OPTIONAL)	1
33	84.3801.00.2	WASHER DIA.10,5x18x2 (OPTIONAL)	4

POS.	CODICE PART NO. REF.	DENOMINAZIONE - DESCRIPTION - DESCRIPTION	Q.TY
33	84.3801.00.2	WASHER DIA.10,5x18x2 (OPTIONAL)	4
34	86.3187.00.2	SCREW M10x18 UNI 5931 (OPTIONAL)	4
35	80.0021.00.2	RING DIA.15	6
36	85.2007.00.2	PISTON PIN DIA.15x24	3
37	37.0016.09.2	PISTON PA/S 1108	3
37	48.0028.09.2	PISTON PA/S 1250	3
38	81.8527.00.2	PISTON RING PA/S 1108	6
38	81.8530.00.2	PISTON RING PA/S 1250	6
39	43.0015.01.2	PISTON SLEEVE PA/S 1108	3
39	48.0029.01.2	PISTON SLEEVE PA/S 1250	3
40	41.9835.97.3	KIT DISK + SCREW INOX	3
41	86.3300.00.2	SCREW M10x30 UNI 5931	12
42	41.0109.09.2	VALVE COVER	3
43	80.3262.00.2	O-RING DIA.3,53x41,28	6
44	80.3251.00.2	O-RING DIA.3,53x32,93	6
44	80.3251.00.2	O-RING DIA.3,53x32,93	6
45	80.3200.00.2	O-RING DIA.2,62x22,22	6
45	80.3200.00.2	O-RING DIA.2,62x22,22	6
46	41.0111.09.2	PUMP HEAD	3
47	86.4250.00.2	SCREW M14x70 UNI 5931	12
48	41.0110.09.2	VALVE COVER G.3/8"	3
49	82.4107.00.2	GASKET	1
50	85.2579.00.2	CAP G.3/8"	1
51	28.0144.32.2	OIL FILLER COVER	1
52	41.0017.31.2	OIL FILLER DIAPHRAGM	1
53	41.0016.32.2	OIL FILLER	1
54	80.3209.40.2	O-RING DIA.2,62x44,12	1
55	35.0009.09.2	OIL FILLER BODY	1
56	86.2852.00.2	SCREW M8x45 UNI 5931	2
57	80.3195.00.2	O-RING DIA.2,62x20,24	1
58	82.0070.00.2	WING NUT G.1"1/2	1
59	84.0591.00.2	90° ELBOW CONNECTOR DIA.40-1,57"	1
60	80.3219.10.2	O-RING DIA.3,0x30	1
61	83.5090.35.2	NIPPLES G1"1/4 - G1"1/2 M-M	1
62	80.3209.00.2	O-RING DIA.2,62x39,34	1
63	84.5544.00.2	RIGHT TAP G.3/8-G.1/2	1
66	35.0038.76.2	CONROD SPACER "VM"	1
67	80.1377.00.2	RING DIA.55 "VM"	1
68	37.0022.26.2	CRANKSHAFT "VM"	1
69	35.0044.09.2	INLET COVER "VM"	1
70	80.2264.10.2	OIL SEAL "VM"	1
71	24.3050.97.3	SAFETY VALVE 50 BAR (OPTIONAL)	1
72	37.0030.26.2	CRANKSHAFT "VF"	1